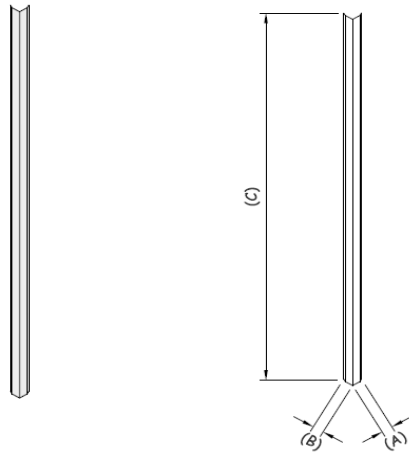


**Premier Line**  
Corner Guards and Wall Caps

Item #: \_\_\_\_\_ Qty #: \_\_\_\_\_  
 Model #: \_\_\_\_\_  
 Project: \_\_\_\_\_



**Features:**

- 2" x 2" heavy gauge stainless
- Kinked edges

**Material:**

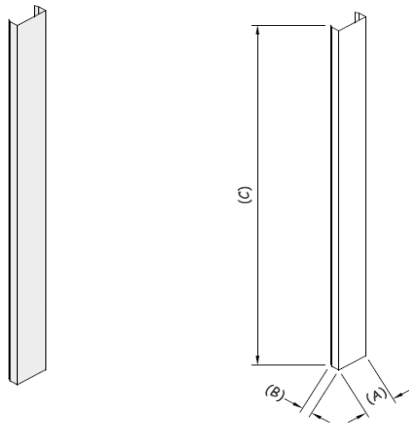
- 18 ga., stainless steel

MODEL NUMBER	FLANGE SIZE		HEIGHT	WT. (LBS.)
	A	B	C	
CG-48	2"	2"	48"	5
CG-60	2"	2"	60"	5
CG-120	2"	2"	120"	7
<b>CUSTOM</b>	<b>A</b>	<b>B</b>	<b>C</b>	

**Options**

16 ga S/S

Other \_\_\_\_\_



**Features:**

- Heavy duty construction
- Kinked edges

**Material:**

- 18 ga., stainless steel

MODEL NUMBER	FLANGE SIZE		HEIGHT	WT. (LBS.)
	A	B	C	
WC-48	6"	2"	48"	10
WC-60	6"	2"	60"	12
WC-120	6"	2"	120"	20
<b>CUSTOM</b>	<b>A</b>	<b>B</b>	<b>C</b>	

**Options**

16 ga S/S

Other \_\_\_\_\_