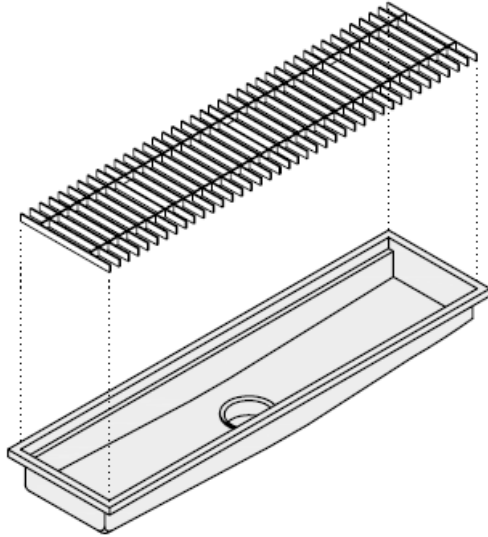


Premier Line Floor Trough

Item #: _____ Qty #: _____
 Model #: _____
 Project: _____



Features:

- Pitched towards drain
- Fully welded and polished to a smooth grain finish

Construction:

- Coved corner pan
- 3 1/8" ID tailpiece
- Maximum 13/16" gap between grate bars

Material:

Trough: 14 gauge type "304" series stainless steel

Grate: 3-16" x 1 1/2" stainless steel subway grate

MODEL NUMBER	DIMENSIONS		WT. (LBS.)	MODEL NUMBER	DIMENSIONS		WT. (LBS.)
	A	B			A	B	
FTP-24-12	24"	12"	40	FTP-66-18	66"	18"	110
FTP-30-12	30"	12"	45	FTP-72-18	72"	18"	115
FTP-36-12	36"	12"	50	FTP-78-18	78"	18"	120
FTP-42-12	42"	12"	55	FTP-84-18	84"	18"	125
FTP-48-12	48"	12"	60	FTP-90-18	90"	18"	130
FTP-54-12	54"	12"	65	FTP-96-18	96"	18"	135
FTP-60-12	60"	12"	70	FTP-24-24	24"	24"	60
FTP-66-12	66"	12"	75	FTP-30-24	30"	24"	68
FTP-72-12	72"	12"	80	FTP-36-24	36"	24"	76
FTP-78-12	78"	12"	85	FTP-42-24	42"	24"	84
FTP-84-12	84"	12"	90	FTP-48-24	48"	24"	92
FTP-90-12	90"	12"	95	FTP-54-24	54"	24"	100
FTP-96-12	96"	12"	100	FTP-60-24	60"	24"	108
FTP-24-18	24"	18"	55	FTP-66-24	66"	24"	116
FTP-30-18	30"	18"	65	FTP-72-24	72"	24"	124
FTP-36-18	36"	18"	75	FTP-78-24	78"	24"	132
FTP-42-18	42"	18"	85	FTP-84-24	84"	24"	140
FTP-48-18	48"	18"	95	FTP-90-24	90"	24"	148
FTP-54-18	54"	18"	100	FTP-96-24	96"	24"	156
FTP-60-18	60"	18"	105				
CUSTOM TABLE				DIM. A		DIM. B	

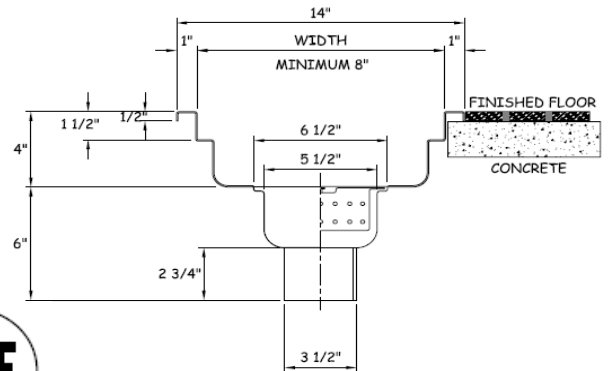
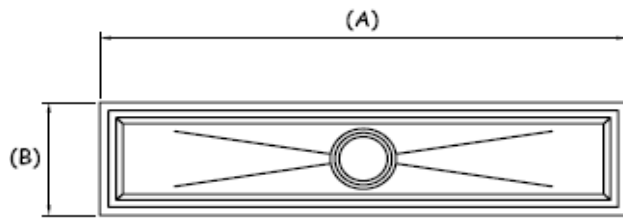
Custom Sizes Available!

Options:

- 12 ga. S/S
- 1/4" s/s rod J-anchors around trough exterior
- Other _____

WT. = Crated shipping weight

www.weststarindustries.com
 4445 E. Fremont Street / Stockton, CA 95215
 Phone: 800-326-2288 Fax: (209) 955-8250 CL# 422322
 Email: wsi@weststarindustries.com
 Note: Specifications are subject to change without notice.



MODEL NUMBER	DIMENSIONS		WT. (LBS.)	MODEL NUMBER	DIMENSIONS		WT. (LBS.)
	A	B			A	B	
FTP-24-12	24"	12"	40	FTP-66-18	66"	18"	110
FTP-30-12	30"	12"	45	FTP-72-18	72"	18"	115
FTP-36-12	36"	12"	50	FTP-78-18	78"	18"	120
FTP-42-12	42"	12"	55	FTP-84-18	84"	18"	125
FTP-48-12	48"	12"	60	FTP-90-18	90"	18"	130
FTP-54-12	54"	12"	65	FTP-96-18	96"	18"	135
FTP-60-12	60"	12"	70	FTP-24-24	24"	24"	60
FTP-66-12	66"	12"	75	FTP-30-24	30"	24"	68
FTP-72-12	72"	12"	80	FTP-36-24	36"	24"	76
FTP-78-12	78"	12"	85	FTP-42-24	42"	24"	84
FTP-84-12	84"	12"	90	FTP-48-24	48"	24"	92
FTP-90-12	90"	12"	95	FTP-54-24	54"	24"	100
FTP-96-12	96"	12"	100	FTP-60-24	60"	24"	108
FTP-24-18	24"	18"	55	FTP-66-24	66"	24"	116
FTP-30-18	30"	18"	65	FTP-72-24	72"	24"	124
FTP-36-18	36"	18"	75	FTP-78-24	78"	24"	132
FTP-42-18	42"	18"	85	FTP-84-24	84"	24"	140
FTP-48-18	48"	18"	95	FTP-90-24	90"	24"	148
FTP-54-18	54"	18"	100	FTP-96-24	96"	24"	156
FTP-60-18	60"	18"	105				
CUSTOM TABLE				DIM. A		DIM. B	

WT. = Crated shipping weight

Custom Sizes Available!

www.weststarindustries.com

4445 E. Fremont Street / Stockton, CA 95215

Phone: 800-326-2288 Fax: (209) 955-8250 CL# 422322

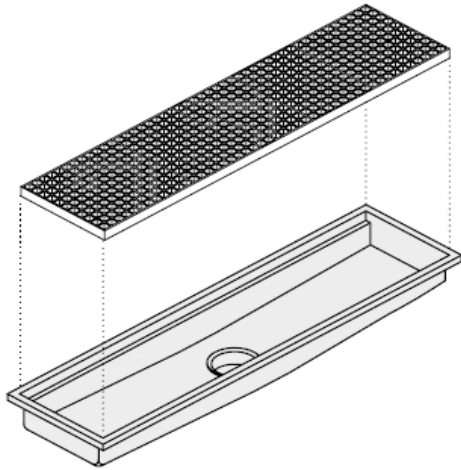
Email: wsj@weststarindustries.com

Note: Specifications are subject to change without notice.

Standard Line Floor Trough



Item #: _____ Qty #: _____
 Model #: _____
 Project: _____



Features:

- Pitched towards drain
- Fully welded and polished to a smooth grain finish

Construction:

- Coved corner pan
- 3 1/8" ID tailpiece
- Removable anti-slip grating

Material:

Trough: 14 gauge type "304" series stainless steel

Grate: Anti-slip fiberglass grate

MODEL NUMBER	DIMENSIONS		WT. (LBS.)	MODEL NUMBER	DIMENSIONS		WT. (LBS.)
	A	B			A	B	
FTS-24-12	24"	12"	40	FTS-66-18	66"	18"	110
FTS-30-12	30"	12"	45	FTS-72-18	72"	18"	115
FTS-36-12	36"	12"	50	FTS-78-18	78"	18"	120
FTS-42-12	42"	12"	55	FTS-84-18	84"	18"	125
FTS-48-12	48"	12"	60	FTS-90-18	90"	18"	130
FTS-54-12	54"	12"	65	FTS-96-18	96"	18"	135
FTS-60-12	60"	12"	70	FTS-24-24	24"	24"	60
FTS-66-12	66"	12"	75	FTS-30-24	30"	24"	68
FTS-72-12	72"	12"	80	FTS-36-24	36"	24"	76
FTS-78-12	78"	12"	85	FTS-42-24	42"	24"	84
FTS-84-12	84"	12"	90	FTS-48-24	48"	24"	92
FTS-90-12	90"	12"	95	FTS-54-24	54"	24"	100
FTS-96-12	96"	12"	100	FTS-60-24	60"	24"	108
FTS-24-18	24"	18"	55	FTS-66-24	66"	24"	116
FTS-30-18	30"	18"	65	FTS-72-24	72"	24"	124
FTS-36-18	36"	18"	75	FTS-78-24	78"	24"	132
FTS-42-18	42"	18"	85	FTS-84-24	84"	24"	140
FTS-48-18	48"	18"	95	FTS-90-24	90"	24"	148
FTS-54-18	54"	18"	100	FTS-96-24	96"	24"	156
FTS-60-18	60"	18"	105				
CUSTOM TABLE				DIM. A		DIM. B	

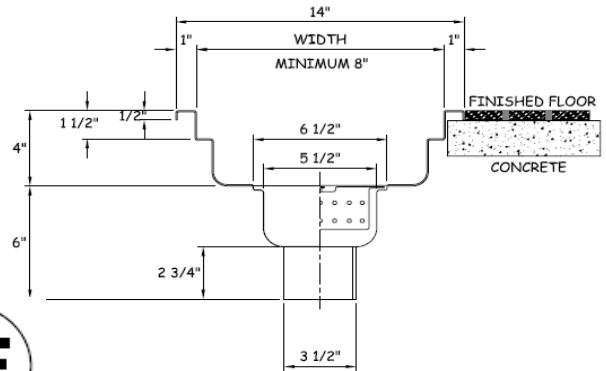
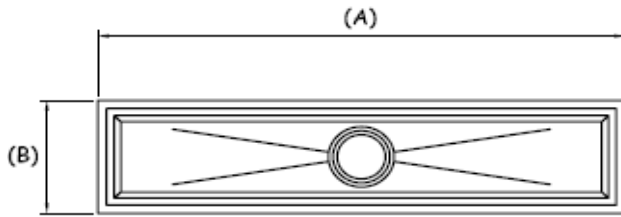
Custom Sizes Available!

Options:

- 12 ga. S/S
- 1/4" s/s rod J-anchors around trough exterior
- Other _____

WT. = Crated shipping weight

www.weststarindustries.com
 4445 E. Fremont Street / Stockton, CA 95215
 Phone: 800-326-2288 Fax: (209) 955-8250 CL# 422322
 Email: wsi@weststarindustries.com
 Note: Specifications are subject to change without notice.



MODEL NUMBER	DIMENSIONS		WT. (LBS.)	MODEL NUMBER	DIMENSIONS		WT. (LBS.)
	A	B			A	B	
FTS-24-12	24"	12"	40	FTS-66-18	66"	18"	110
FTS-30-12	30"	12"	45	FTS-72-18	72"	18"	115
FTS-36-12	36"	12"	50	FTS-78-18	78"	18"	120
FTS-42-12	42"	12"	55	FTS-84-18	84"	18"	125
FTS-48-12	48"	12"	60	FTS-90-18	90"	18"	130
FTS-54-12	54"	12"	65	FTS-96-18	96"	18"	135
FTS-60-12	60"	12"	70	FTS-24-24	24"	24"	60
FTS-66-12	66"	12"	75	FTS-30-24	30"	24"	68
FTS-72-12	72"	12"	80	FTS-36-24	36"	24"	76
FTS-78-12	78"	12"	85	FTS-42-24	42"	24"	84
FTS-84-12	84"	12"	90	FTS-48-24	48"	24"	92
FTS-90-12	90"	12"	95	FTS-54-24	54"	24"	100
FTS-96-12	96"	12"	100	FTS-60-24	60"	24"	108
FTS-24-18	24"	18"	55	FTS-66-24	66"	24"	116
FTS-30-18	30"	18"	65	FTS-72-24	72"	24"	124
FTS-36-18	36"	18"	75	FTS-78-24	78"	24"	132
FTS-42-18	42"	18"	85	FTS-84-24	84"	24"	140
FTS-48-18	48"	18"	95	FTS-90-24	90"	24"	148
FTS-54-18	54"	18"	100	FTS-96-24	96"	24"	156
FTS-60-18	60"	18"	105				
CUSTOM TABLE			DIM. A		DIM. B		

WT. = Crated shipping weight

Custom Sizes Available!