



SNEEZEGUARDS

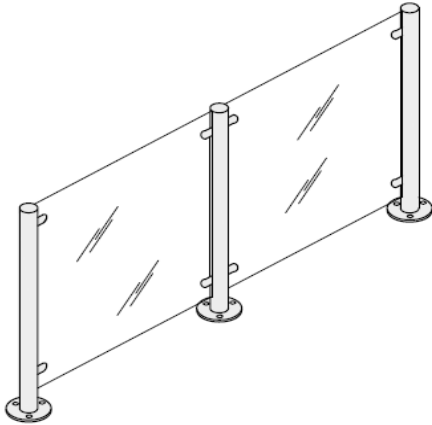
PREMIER LINE

| | |
|--|---|
| Partition/Pass Over Style | 2 |
| Vertical Self Service | 3 |
| Pass Over Style, s/s top, glass front. | 4 |
| Pass Over Style, glass top, glass front | 5 |
| Pass Over Style, cantilever glass top, glass front | 6 |
| Self Service Style, glass top. | 7 |

Premier Line Sneezguards

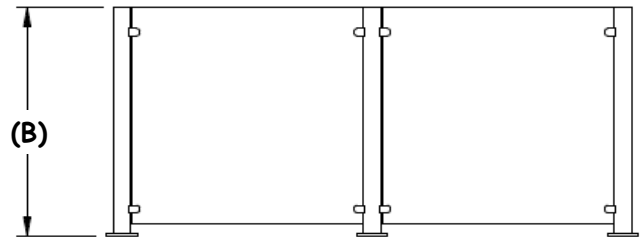
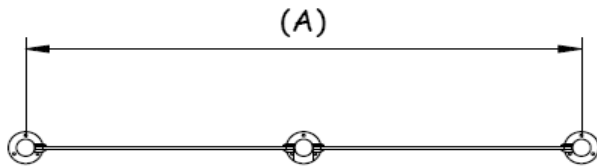
Vertical Sneezguards

Item #: _____ Qty #: _____
 Model #: _____
 Project: _____



Construction:

- 1 5/8" round stainless steel posts
- 3" mounting flange
- Stainless glass clips
- Heavy duty construction



Material:

Posts: 1 5/8" brushed stainless steel

Glass: Clear 1/4" tempered with polished edges

| MODEL NUMBER | OVERALL DIMENSIONS | | WT. (LBS.) |
|---------------|--------------------|----------|------------|
| | A | B | |
| SG-36 | 36" | 24" | 20 |
| SG-48 | 48" | 24" | 37 |
| SG-60 | 60" | 24" | 42 |
| SG-72 | 72" | 24" | 48 |
| SG-84 | 84" | 24" | 53 |
| SG-96 | 96" | 24" | 58 |
| SG-108 | 108" | 24" | 63 |
| SG-120 | 120" | 24" | 72 |
| SG-132 | 132" | 24" | 75 |
| SG-144 | 144" | 24" | 80 |
| CUSTOM | A | B | |
| | | | |

WT. = Crated shipping weight

Custom Sizes Available!

Options:

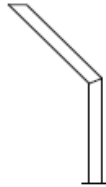
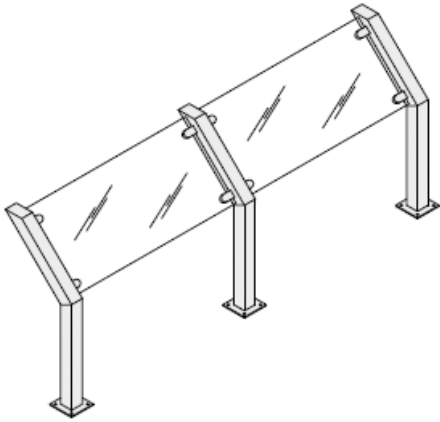
- 1 1/2" x 1 1/2" square posts
 Other _____

****Submittal drawings required prior to fabrication****

Premier Line Sneezguards

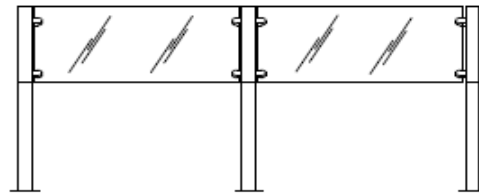
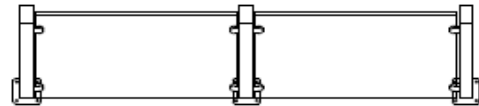
Vertical Self Service Sneezguards

Item #: _____ Qty #: _____
 Model #: _____
 Project: _____



Construction:

- 1 1/2" x 1 1/2" square stainless steel posts
- 3" mounting flange
- Stainless glass clips
- Heavy duty construction



Material:

Posts: 1 1/2" x 1 1/2" square brushed stainless steel

Glass: Clear 1/4" tempered with polished edges

| MODEL NUMBER | OVERALL DIMENSIONS | | WT. (LBS.) |
|---------------|--------------------|----------|------------|
| | A | B | |
| SG1-36 | 36" | 24" | 20 |
| SG1-48 | 48" | 24" | 37 |
| SG1-60 | 60" | 24" | 42 |
| SG1-72 | 72" | 24" | 48 |
| SG1-84 | 84" | 24" | 53 |
| SG1-96 | 96" | 24" | 58 |
| SG1-108 | 108" | 24" | 63 |
| SG1-120 | 120" | 24" | 72 |
| SG1-132 | 132" | 24" | 75 |
| SG1-144 | 144" | 24" | 80 |
| CUSTOM | A | B | |
| | | | |

WT. = Crated shipping weight

Custom Sizes Available!

Options:

- 1" x 1" square posts
 Other _____

****Submittal drawings required prior to fabrication****

www.weststarindustries.com

4445 E. Fremont Street / Stockton, CA 95215

Phone: 800-326-2288 Fax: (209) 955-8250 CL# 422322

Email: wsi@weststarindustries.com

Note: Specifications are subject to change without notice.

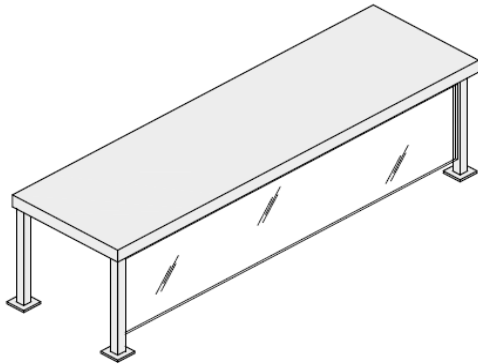
Premier Line Sneezguards

Pass Over Sneeze Guard

Item #: _____ Qty #: _____

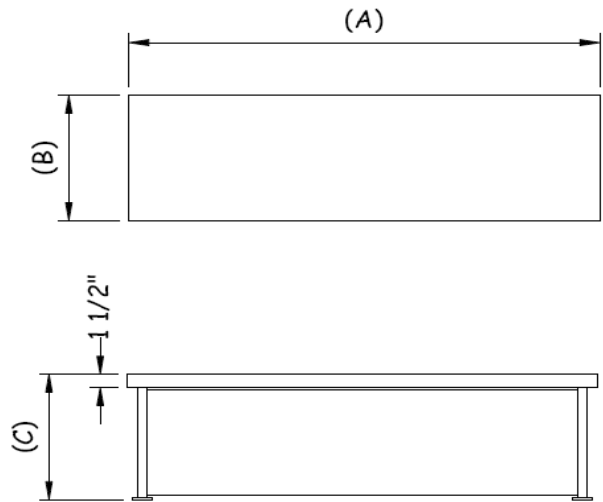
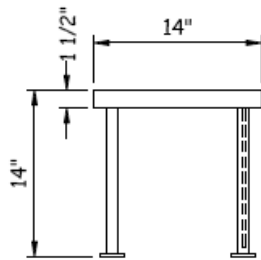
Model #: _____

Project: _____



Construction:

- 1 1/2" x 1 1/2" square stainless steel posts
- 2 1/2" x 2 1/2" mounting flange
- 304 series stainless steel top
- Heavy duty construction



Material:

Posts: 1 1/2" x 1 1/2" brushed stainless steel

Glass: Clear 1/4" tempered with polished edges

Top: 18 ga 304 stainless steel

| MODEL NUMBER | OVERALL DIMENSIONS | | | WT. (LBS.) |
|---------------|--------------------|----------|----------|------------|
| | A | B | C | |
| SGS-36 | 36" | 14" | 14" | 41 |
| SGS-48 | 48" | 14" | 14" | 65 |
| SGS-60 | 60" | 14" | 14" | 75 |
| SGS-72 | 72" | 14" | 14" | 85 |
| SGS-84 | 84" | 14" | 14" | 95 |
| SGS-96 | 96" | 14" | 14" | 105 |
| SGS-108 | 108" | 14" | 14" | 120 |
| SGS-120 | 120" | 14" | 14" | 130 |
| SGS-132 | 132" | 14" | 14" | 140 |
| SGS-144 | 144" | 14" | 14" | 150 |
| CUSTOM | A | B | C | |
| | | | | |

WT. = Crated shipping weight

Custom Sizes Available!

Options:

- 1 5/8" S/S posts
- Right glass end panel
- Left glass end panel
- Other _____

****Submittal drawings required prior to fabrication****

www.weststarindustries.com

4445 E. Fremont Street / Stockton, CA 95215

Phone: 800-326-2288 Fax: (209) 955-8250 CL# 422322

Email: wsj@weststarindustries.com

Note: Specifications are subject to change without notice.

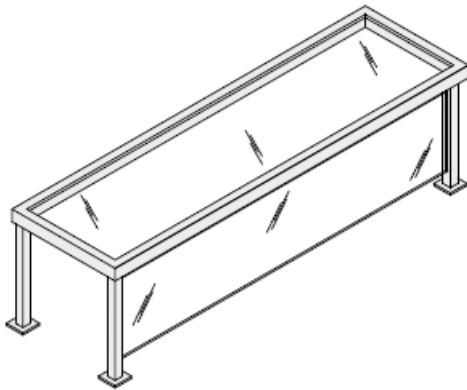
Premier Line Sneezguards

Pass Over Sneeze Guard

Item #: _____ Qty #: _____

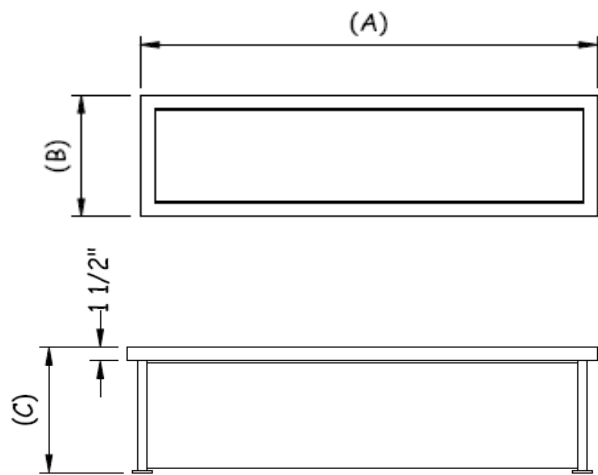
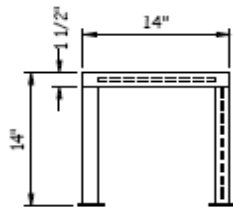
Model #: _____

Project: _____



Construction:

- 1 1/2" x 1 1/2" square stainless steel posts
- 2 1/2" x 2 1/2" mounting flange
- 1/4" glass top with stainless steel frame
- Heavy duty construction



Material:

Posts: 1 1/2" x 1 1/2" brushed stainless steel

Glass: Clear 1/4" tempered with polished edges

Top: Clear 1/4" tempered with polished edges

| MODEL NUMBER | OVERALL DIMENSIONS | | | WT. (LBS.) |
|---------------|--------------------|----------|----------|------------|
| | A | B | C | |
| SGG-36 | 36" | 14" | 14" | 41 |
| SGG-48 | 48" | 14" | 14" | 65 |
| SGG-60 | 60" | 14" | 14" | 75 |
| SGG-72 | 72" | 14" | 14" | 85 |
| SGG-84 | 84" | 14" | 14" | 95 |
| SGG-96 | 96" | 14" | 14" | 105 |
| SGG-108 | 108" | 14" | 14" | 120 |
| SGG-120 | 120" | 14" | 14" | 130 |
| SGG-132 | 132" | 14" | 14" | 140 |
| SGG-144 | 144" | 14" | 14" | 150 |
| CUSTOM | A | B | C | |
| | | | | |

WT. = Crated shipping weight

Custom Sizes Available!

Options:

- Right glass end panel
- Left glass end panel
- Other _____

****Submittal drawings required prior to fabrication****

www.weststarindustries.com

4445 E. Fremont Street / Stockton, CA 95215

Phone: 800-326-2288 Fax: (209) 955-8250 CL# 422322

Email: wsi@weststarindustries.com

Note: Specifications are subject to change without notice.

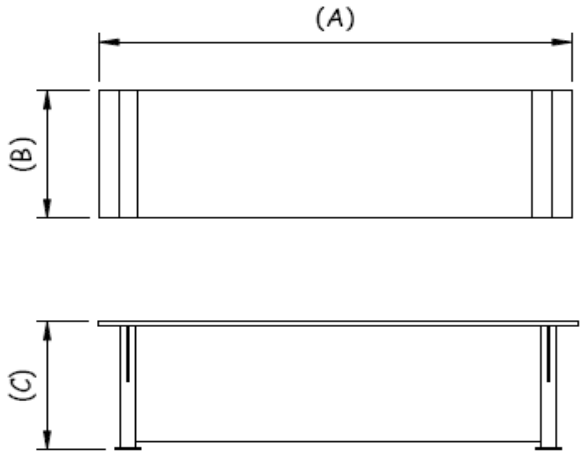
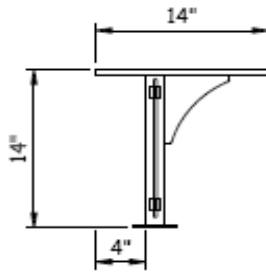
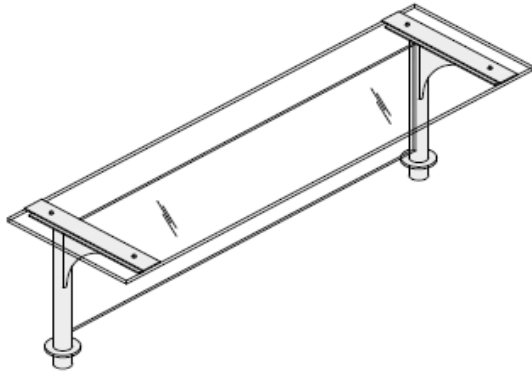
Premier Line Sneezguards

Pass Over Sneeze Guard

Item #: _____ Qty #: _____

Model #: _____

Project: _____



Construction:

- 1 5/8" round stainless steel posts
- 3" mounting flange
- 1/4" glass front and top
- Heavy duty construction

Material:

Posts: 1 5/8" brushed stainless steel

Glass: Clear 1/4" tempered with polished edges

Top: Clear 1/4" tempered with polished edges

| MODEL NUMBER | OVERALL DIMENSIONS | | | WT. (LBS.) |
|---------------|--------------------|----------|----------|------------|
| | A | B | C | |
| SGGR-36 | 36" | 14" | 14" | 20 |
| SGGR-48 | 48" | 14" | 14" | 30 |
| SGGR-60 | 60" | 14" | 14" | 35 |
| SGGR-72 | 72" | 14" | 14" | 40 |
| SGGR-84 | 84" | 14" | 14" | 45 |
| SGGR-96 | 96" | 14" | 14" | 50 |
| SGGR-108 | 108" | 14" | 14" | 55 |
| SGGR-120 | 120" | 14" | 14" | 60 |
| SGGR-132 | 132" | 14" | 14" | 65 |
| SGGR-144 | 144" | 14" | 14" | 70 |
| CUSTOM | A | B | C | |
| | | | | |

WT. = Crated shipping weight

Custom Sizes Available!

Options:

- 1 1/2" square posts
- Other _____

****Submittal drawings required prior to fabrication****

www.weststarindustries.com

4445 E. Fremont Street / Stockton, CA 95215

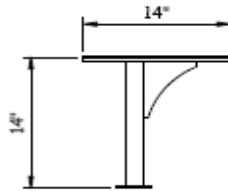
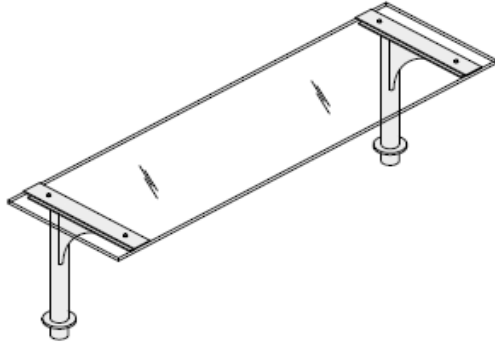
Phone: 800-326-2288 Fax: (209) 955-8250 CL# 422322

Email: wsj@weststarindustries.com

Note: Specifications are subject to change without notice.

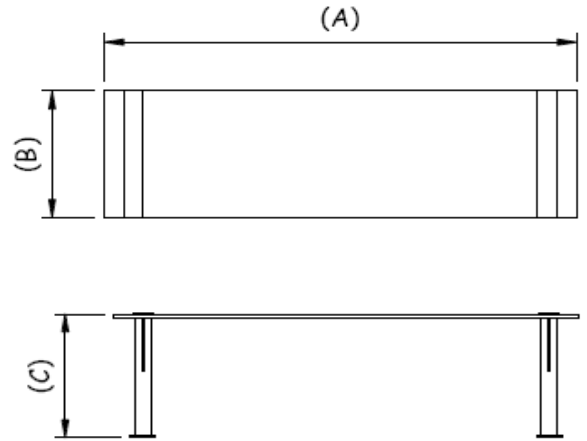


Item #: _____ Qty #: _____
Model #: _____
Project: _____



Construction:

- 1 5/8" round stainless steel posts
- 3" mounting flange
- Glass top
- Heavy duty construction



Material:

Posts: 1 5/8" brushed stainless steel

Glass: Clear 1/4" tempered with polished edges

| MODEL NUMBER | OVERALL DIMENSIONS | | | WT. (LBS.) |
|---------------|--------------------|----------|----------|------------|
| | A | B | C | |
| SGHR-36 | 36" | 14" | 14" | 20 |
| SGHR-48 | 48" | 14" | 14" | 30 |
| SGHR-60 | 60" | 14" | 14" | 35 |
| SGHR-72 | 72" | 14" | 14" | 40 |
| SGHR-84 | 84" | 14" | 14" | 45 |
| SGHR-96 | 96" | 14" | 14" | 50 |
| SGHR-108 | 108" | 14" | 14" | 55 |
| SGHR-120 | 120" | 14" | 14" | 60 |
| SGHR-132 | 132" | 14" | 14" | 65 |
| SGHR-144 | 144" | 14" | 14" | 70 |
| CUSTOM | A | B | C | |
| | | | | |

WT. = Crated shipping weight

Custom Sizes Available!

Options:

- 1 1/2" square posts
- Other _____

****Submittal drawings required prior to fabrication****

www.weststarindustries.com

4445 E. Fremont Street / Stockton, CA 95215

Phone: 800-326-2288 Fax: (209) 955-8250 CL# 422322

Email: wsj@weststarindustries.com

Note: Specifications are subject to change without notice.