

WST-17



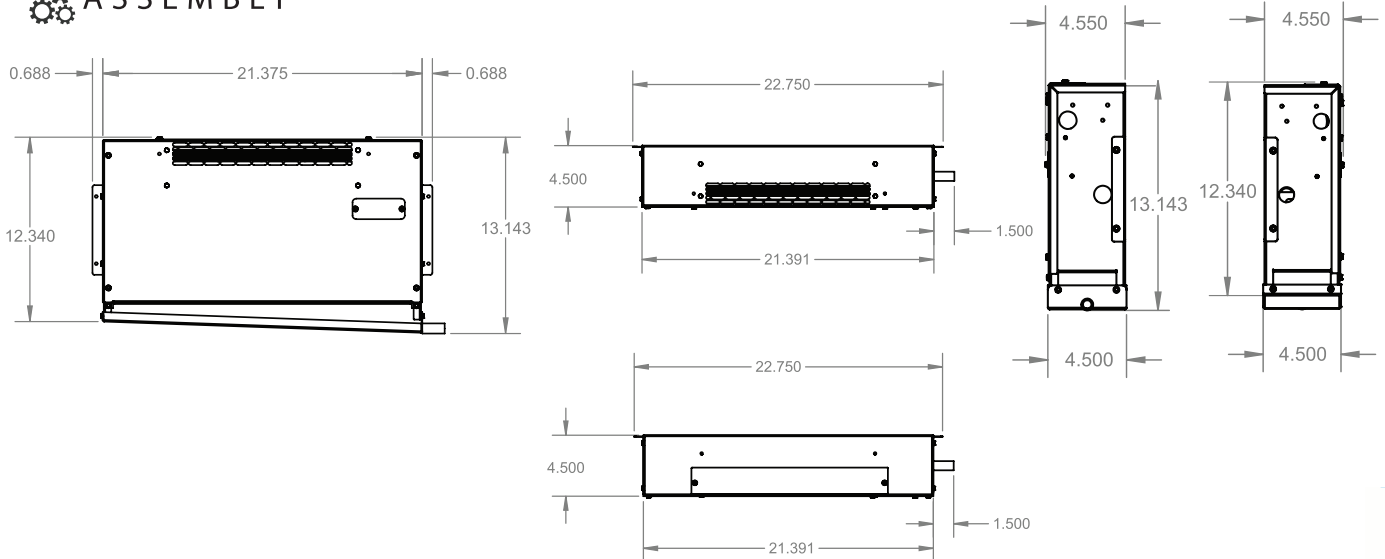
STANDARD FEATURES

- Core & U-Bends are coated with an epoxy resin to counter corrosion.
- Versatile drain lines left to right & bottom.
- Medium and low temp applications.
- Digital thermostat is made to optimize accuracy and convenience.
- EC motors-splash proof with 60,000 hours of run time.
- 100V or 239V operation.
- Electronic Defrost.
- Discrete vertical or horizontal mount design.
- Inside terminal block for electrical connections.
- Equipped with a safety divider to prevent outside materials from entering.
- Fully tested & injected with Nitrogen to ensure the equality of the product.
- Each product is carefully tested at many stages of production and comes with an extended warranty on the core coating and thermostat.
- Made in the U.S.A.

MODEL	BTU	FIX	SUC	INTE	SUCTION	DRAIN	R-404A	R-22	R-134	R-404ZP	FAN	DEF	VOLT/PH	COIL WT	AMPS	CFM
WST-17	1700	35	25	1/4 O.D	3/8 O.D	1/2 O.D	FBS-1/4-C	FBV-1/4-C	FBJ-1/4-C	FBS-1/4-C	3	2.5	100-230/1	22	0.78	280



ASSEMBLY



West Star Industries.
Nancy Mittelstadt
weststarindustries.com

4445 E. Fremont St.
Stockton, CA 95215
(209) 955-8220



WARRANTY

